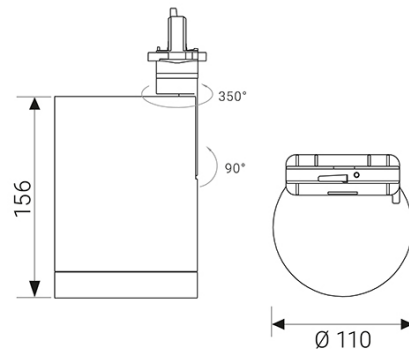
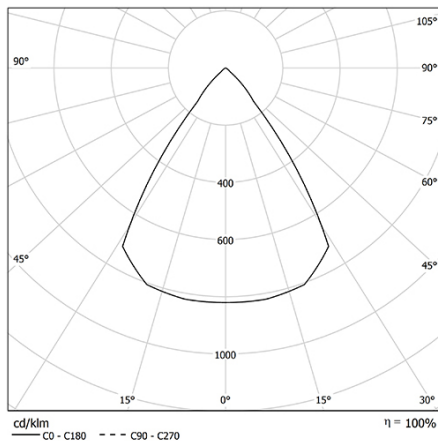


TERES MEDIUM

Modern spotlight built-in driver. CRI>90



CODE		FLUX	SIZE	CERTIFICATIONS
14VT33K340MD	33W 40° 3000K	3566lm	110mm	    

Optics

Internal aluminum reflectors

Specifications

LED CoB Technology;
Built-in driver;
CRI>90;
McAdams 3;
Life Time: L80/B10 >50.000h;
5 years complete warranty;
Eye safety: RG0/RG1 in accordance with EN62471:2009

Body

Manufactured from pressure die-cast aluminum with epoxy powder coating.

Legal reference

In compliance with the safety standards EN 60 598-1 and UNI EN 12464-1 (lighting for working places).

Wiring

D: Built-in wiring 230-240V/50-60Hz, DALI dimmable.